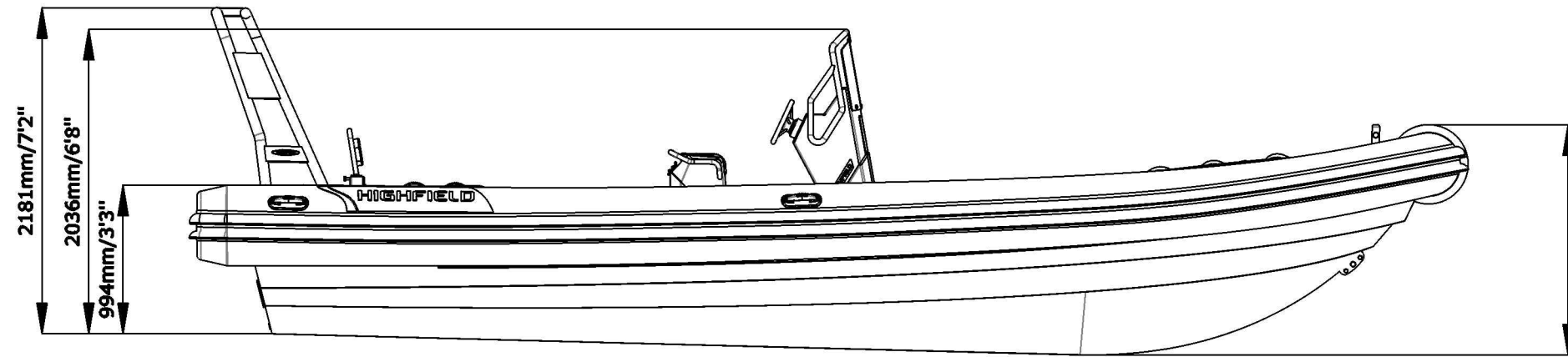
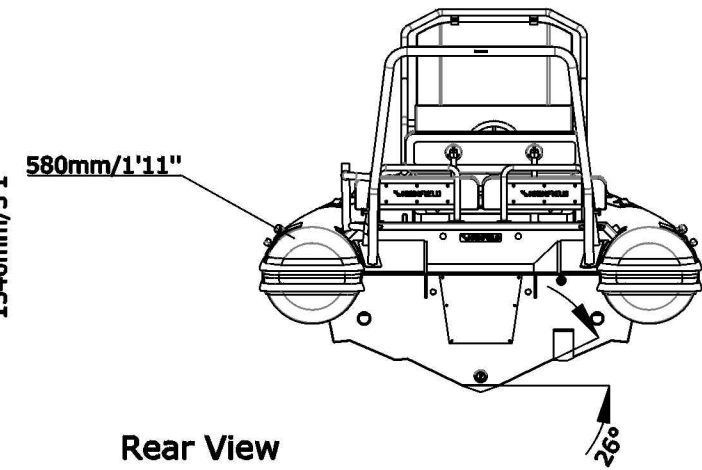


PATROL 860

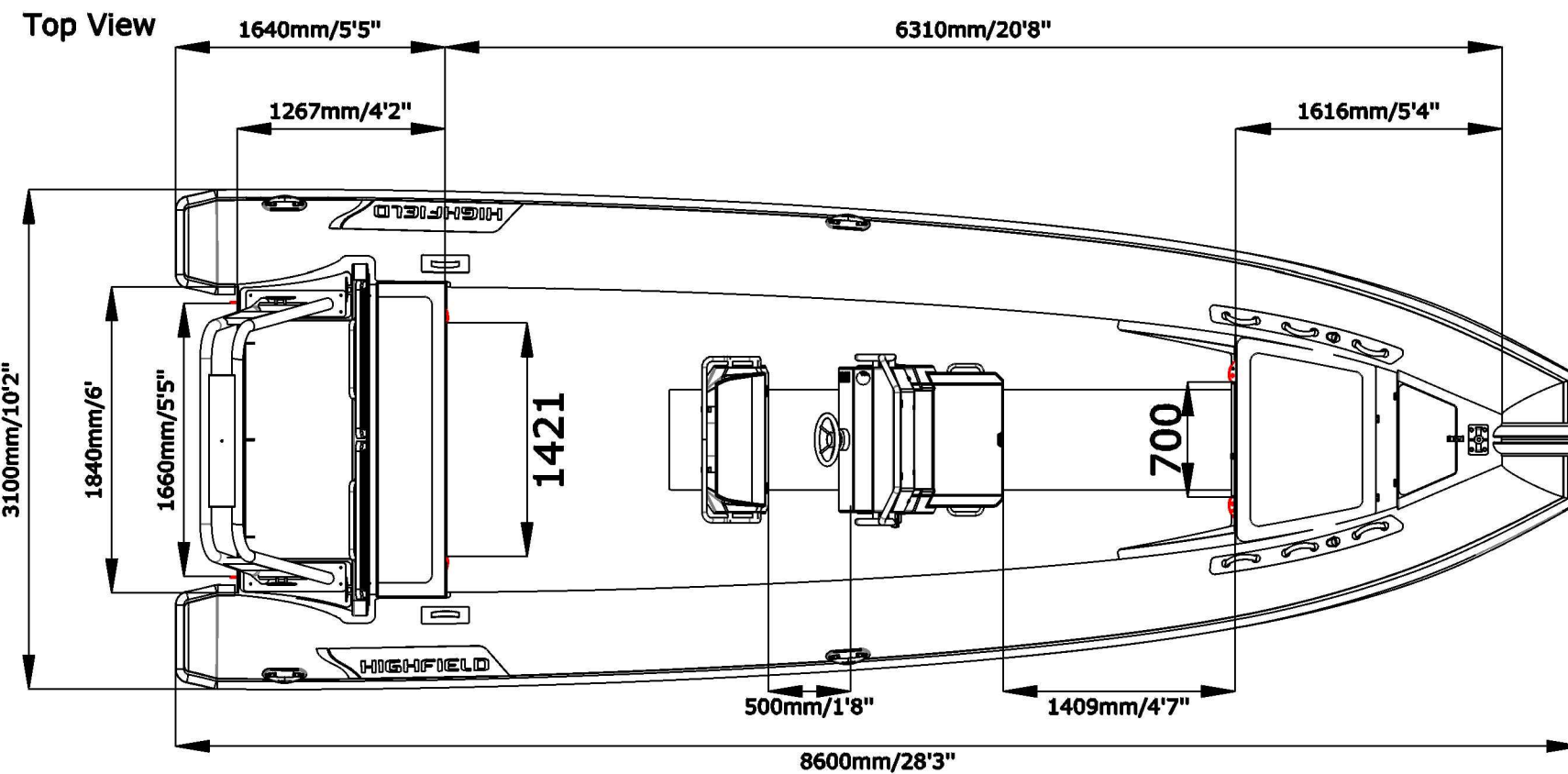
SPECIFICATIONS



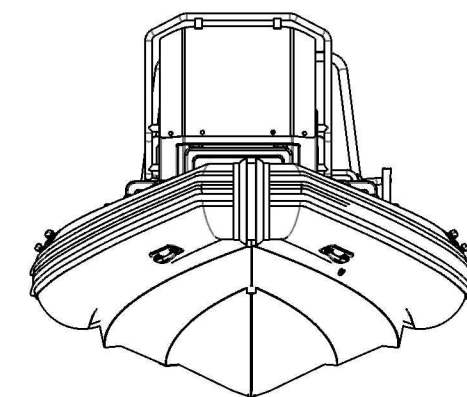
Side View



Rear View



Top View



Front View

SPECIFICATIONS AND MAXIMUM CAPACITIES (Subject to change without notice. Tolerances: Dimensions +/-3% Weight +/-5%)

MODEL	ISO 6185 PART	ISO 6185	Crew		#	Weight		Length	Maximum Speed						Wet Weight (Approximate) 2*200HP (2*147KW) +Fuel		AIR CHAMBERS	Pressure					
			KG	LB		KG	LB		Maximum		Recommended		Maximum Speed		KG	LB		KG	LB	PSI	BAR		
			KG	LB		KT	MPH		Km/h	KT	MPH	Km/h	KT	MPH	Km/h	KG		LB	PSI	BAR			
PATROL 860	3	B	1593	3512	19	1425	3142	UL 624.9	1378	1863	250	142	200	/	/	/	1392	3069	2325	5126	6	3.63	0.25

Weight includes: console ,seat ,rollbar