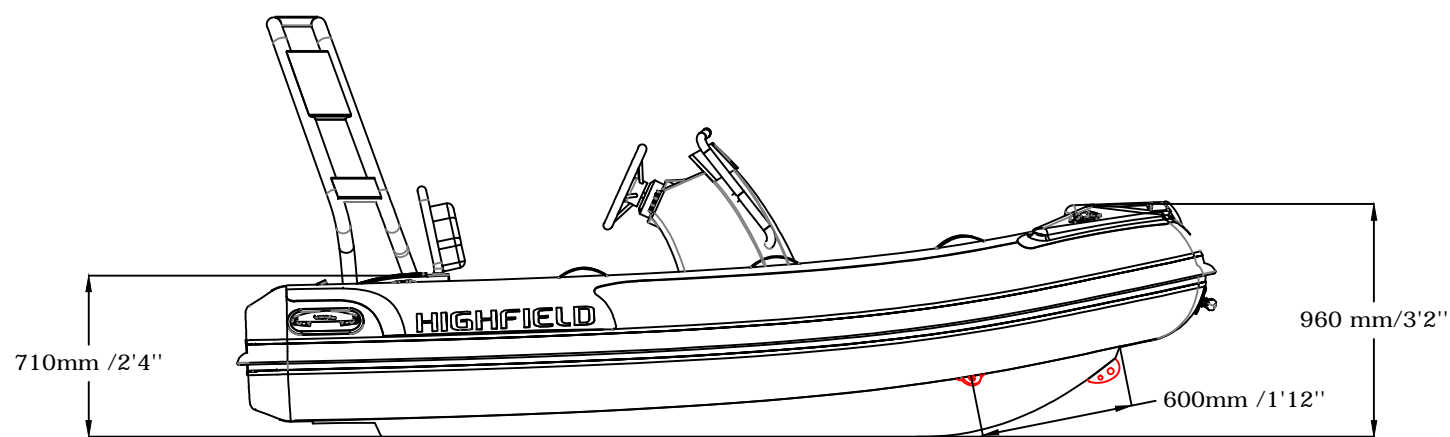
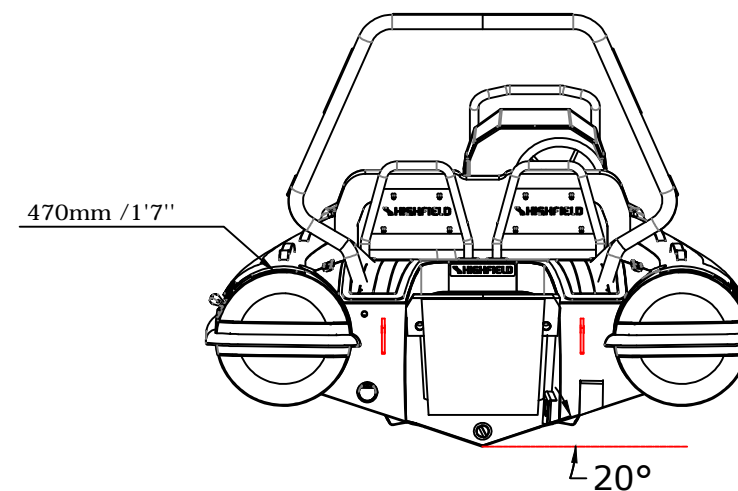


# DELUXE 390

# SPECIFICATIONS

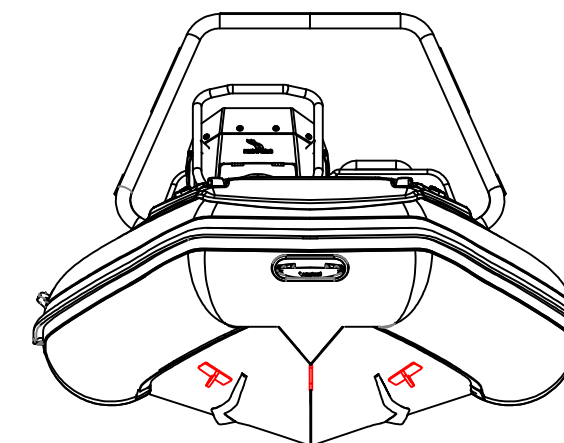
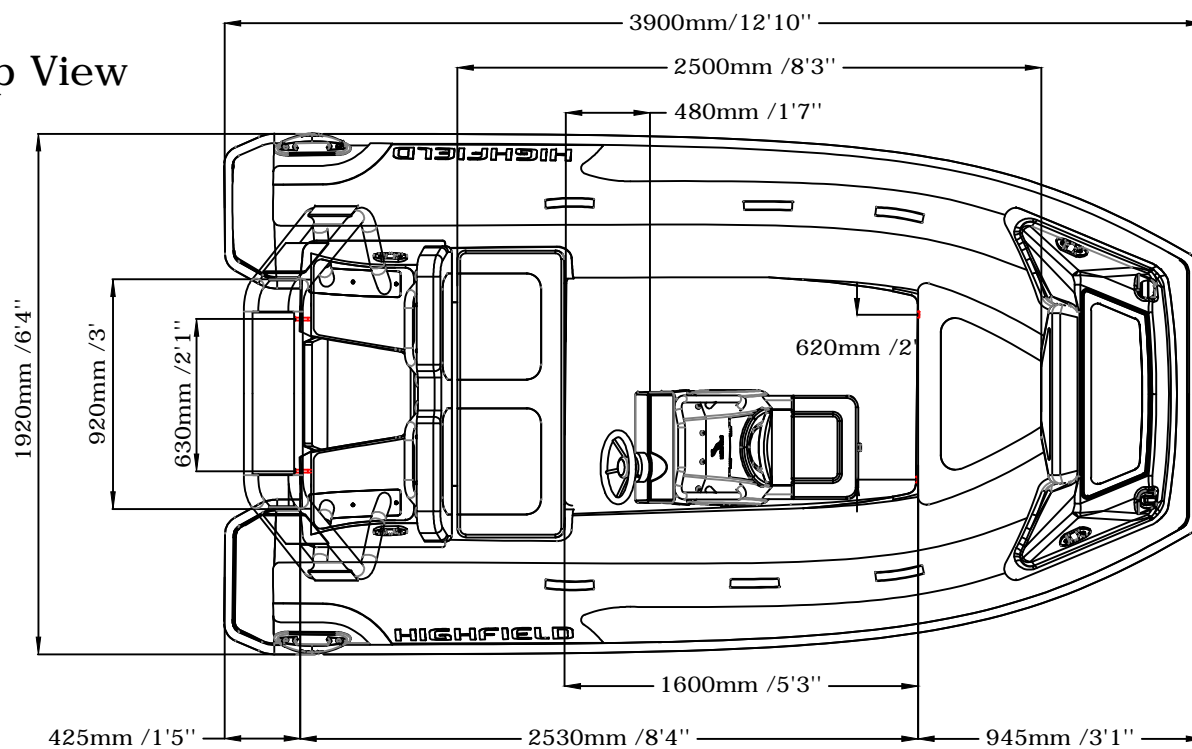


Side View



Rear View

Top View



Front View

SPECIFICATIONS AND MAXIMUM CAPACITIES (Subject to change without notice. Tolerances: Dimensions +/-3% Weight +/-5%)

MODEL	ISO 6185 PART	ISO 6185																	AIR CHAMBERS					
			KG	LB	#	KG	LB	Length	KG	LB	Maximum		Recommended		Maximum Speed		KG	LB		KG	LB	PSI	BAR	
												KW	HP	KW	HP	KT	MPH	Km/h						
DL390	3	C	716	1579	7	525	1157	L	161.7	356	37.30	50	/	/	/	/	/	241	531	424.45	936	3	3.63	0.25

Weight includes: console, rollbar