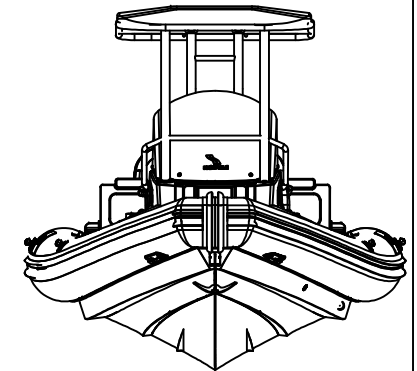
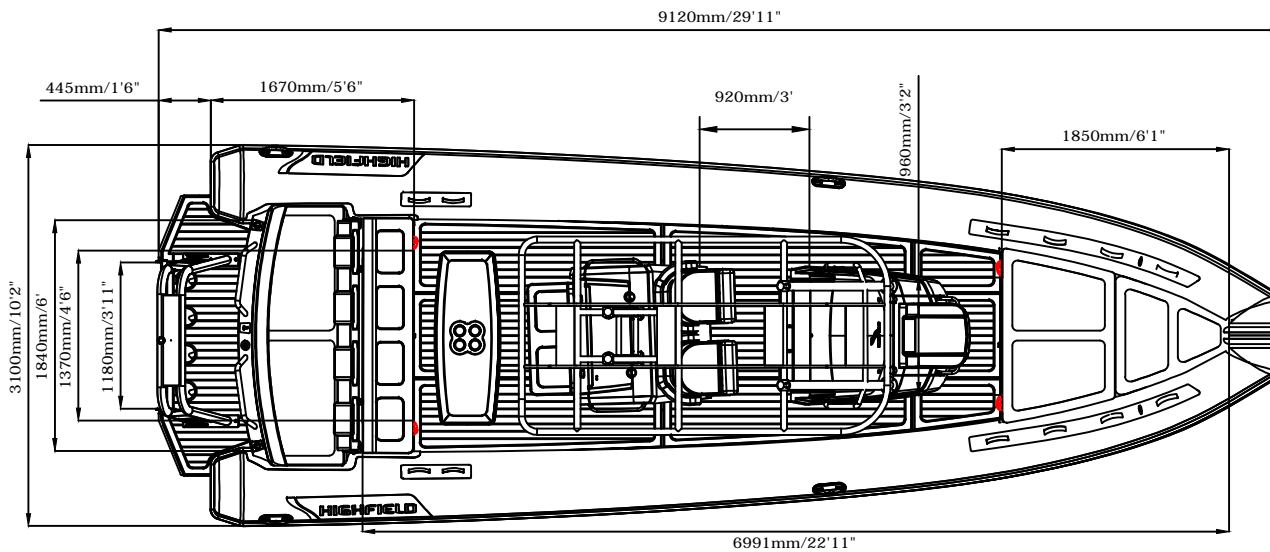
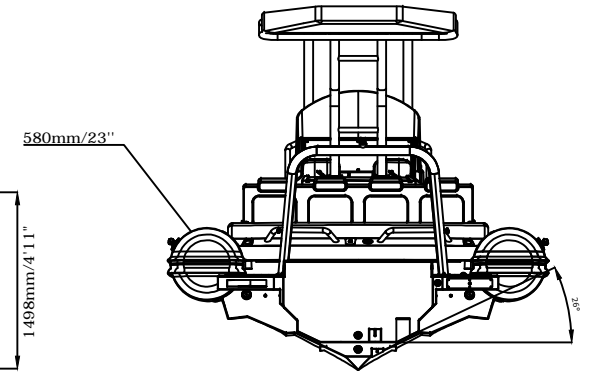
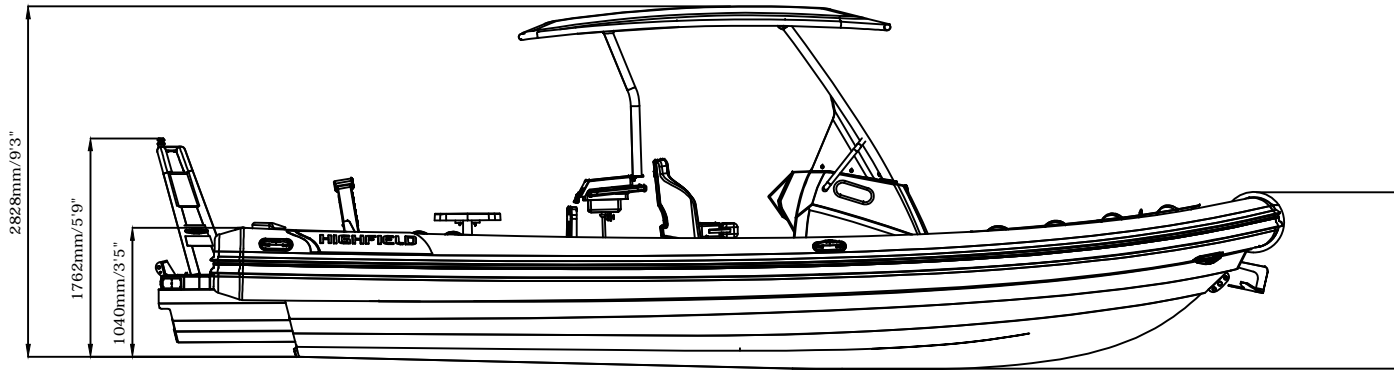


SPORT 900

SPECIFICATIONS



SPECIFICATIONS AND MAXIMUM CAPACITIES (Subject to change without notice. Tolerances: Dimensions ±2.5% Weight ±5%)

MODEL	ISO 6185 PART	ISO 6185	Person 1		Person 2		Outboard Engine				Shower kit		Rollbar		Tow post		Fuel tank Capacity		Wet Weight (Approximate) 425HP (317.05KW) + Fuel		AIR CHAMBERS	Pressure					
			KG	LB	#	KG	LB	Shaft	Max power		Max weight		KG	LB	KG	LB	KG	LB	L	GAL		KG	LB	PSI	BAR		
									KW	HP	KG	LB															
SPORT 900	4	B	1593	3512	15	1125	2480	UL	317.05	425	432	952	1780	3924	/	/	26	57	/	/	430	94	2520	5555	6	3.63	0.25

Boat weight includes: console ,seat