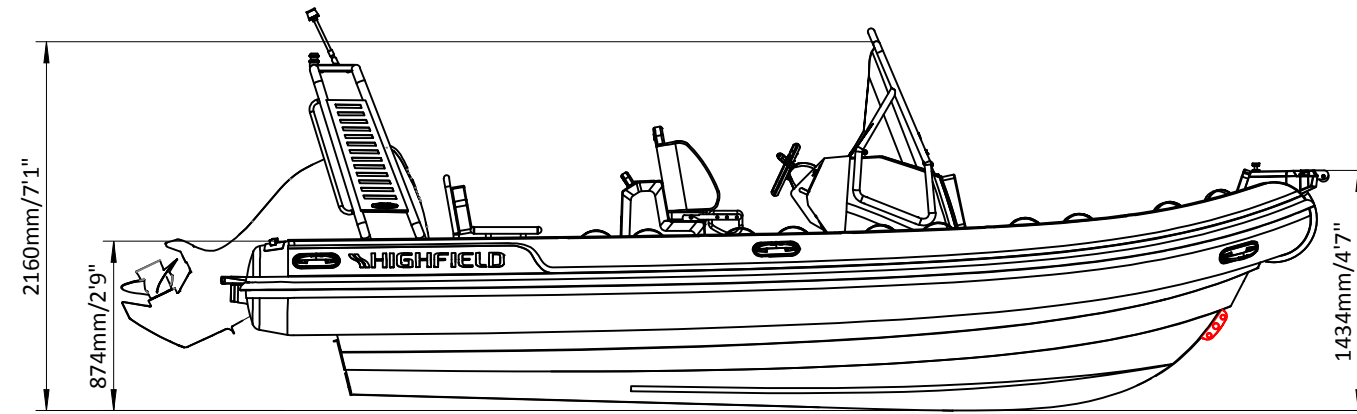
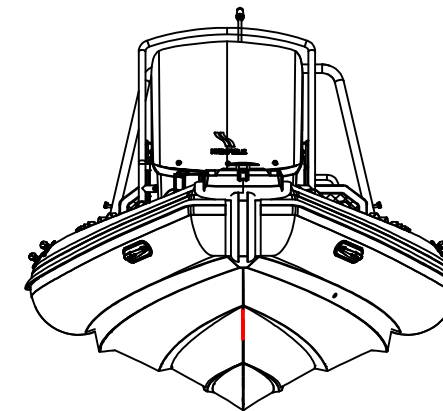
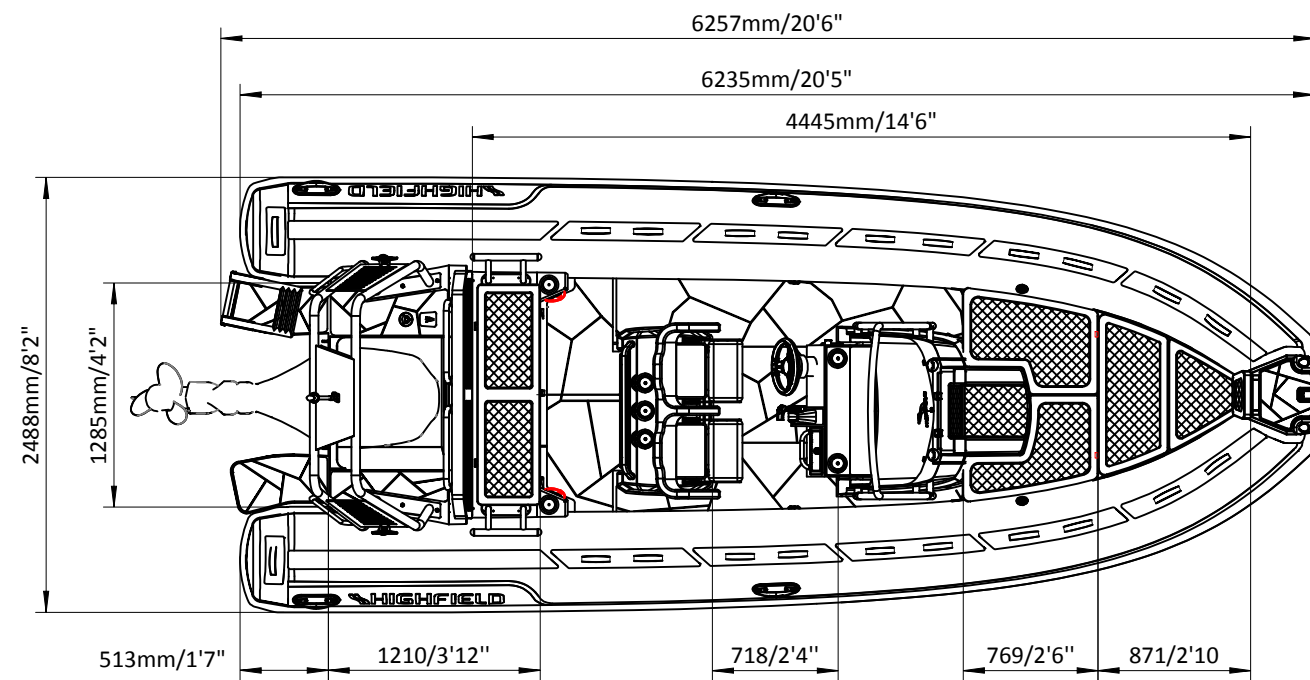
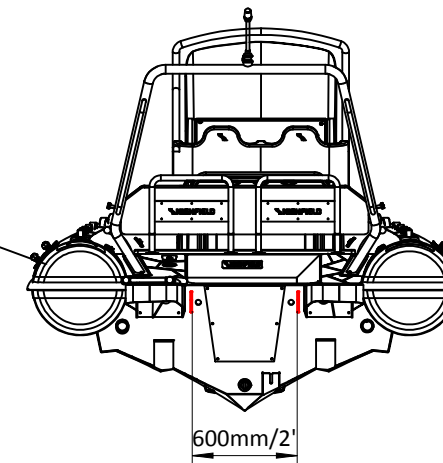


# SPORT 600

# SPECIFICATIONS



560-400mm/22"-16"



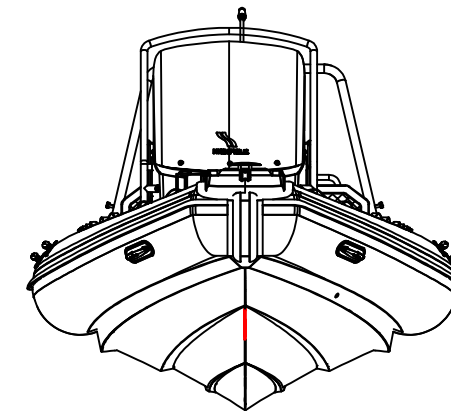
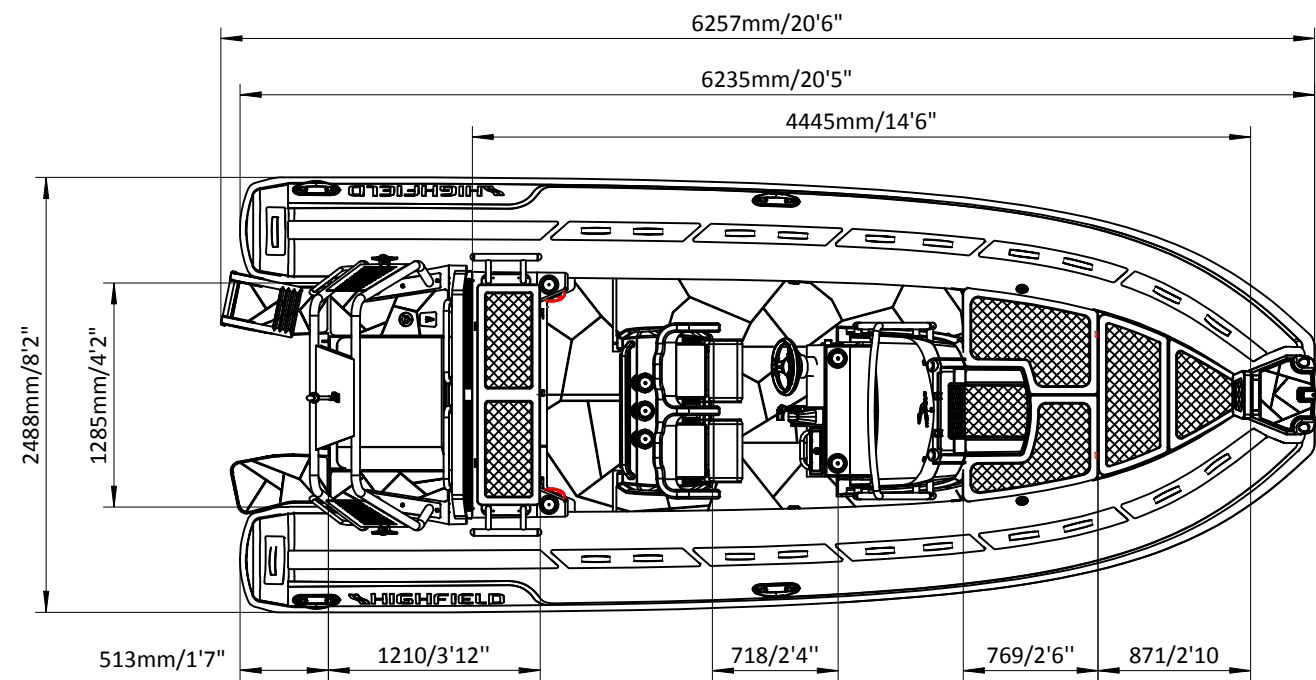
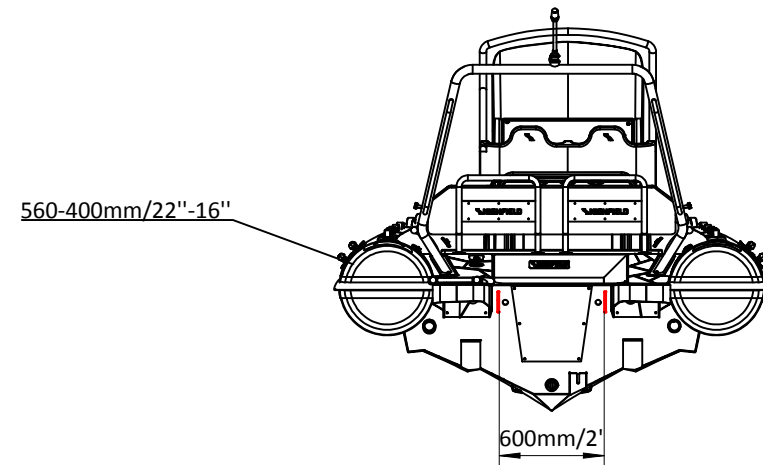
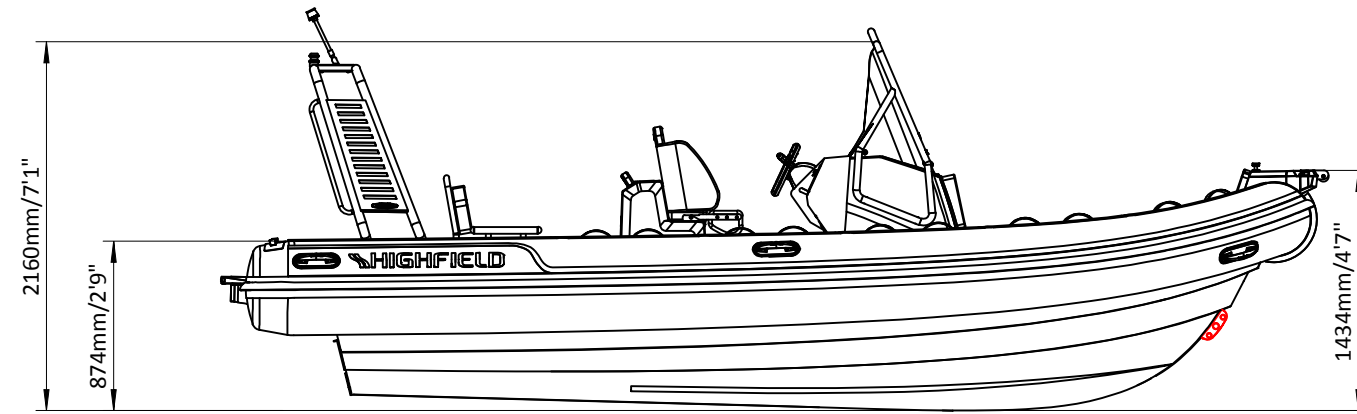
SPECIFICATIONS AND MAXIMUM CAPACITIES (Subject to change without notice. Tolerances: dimensions ±2.5%, weights ±5%)

| MODEL | ISO 6185 PART | ISO 6185 |      |      | #  |      |      | Shaft | Outboard Engine |     |     |     | Shower kit |      | Rollbar |      | /  |      | Fuel tank Capacity |     | Wet Weight (Approximate)<br>150HP (111.9KW)<br>+Fuel |    | AIR CHAMBERS |      |     |      |      |
|-------|---------------|----------|------|------|----|------|------|-------|-----------------|-----|-----|-----|------------|------|---------|------|----|------|--------------------|-----|--|----|--------------|------|-----|------|------|
|       |               |          | KG   | LB   |    | KG   | LB   |       | KG              | LB  | KG  | LB  | KG         | LB   | KG      | LB   | KG | LB   | L                  | GAL | KG   | LB |              | PSI  | BAR |      |      |
| SP600 | 3             | C        | 1580 | 3483 | 14 | 1050 | 2315 | XL    | 111.9           | 150 | 250 | 575 | 630        | 1389 | 14.4    | 31.7 | 23 | 50.7 | /                  | /   | 140  | 37 | 981.5        | 2164 | 6   | 3.63 | 0.25 |

Boat weight includes: console, seat, sundeck, platform

# SPORT 600

# SPECIFICATIONS



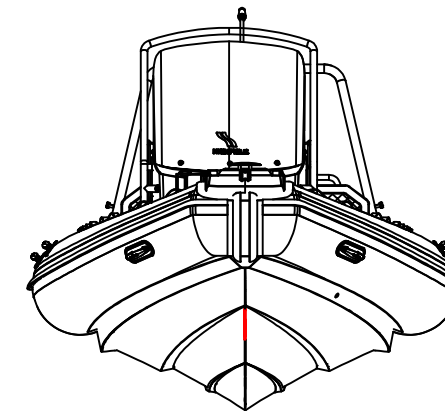
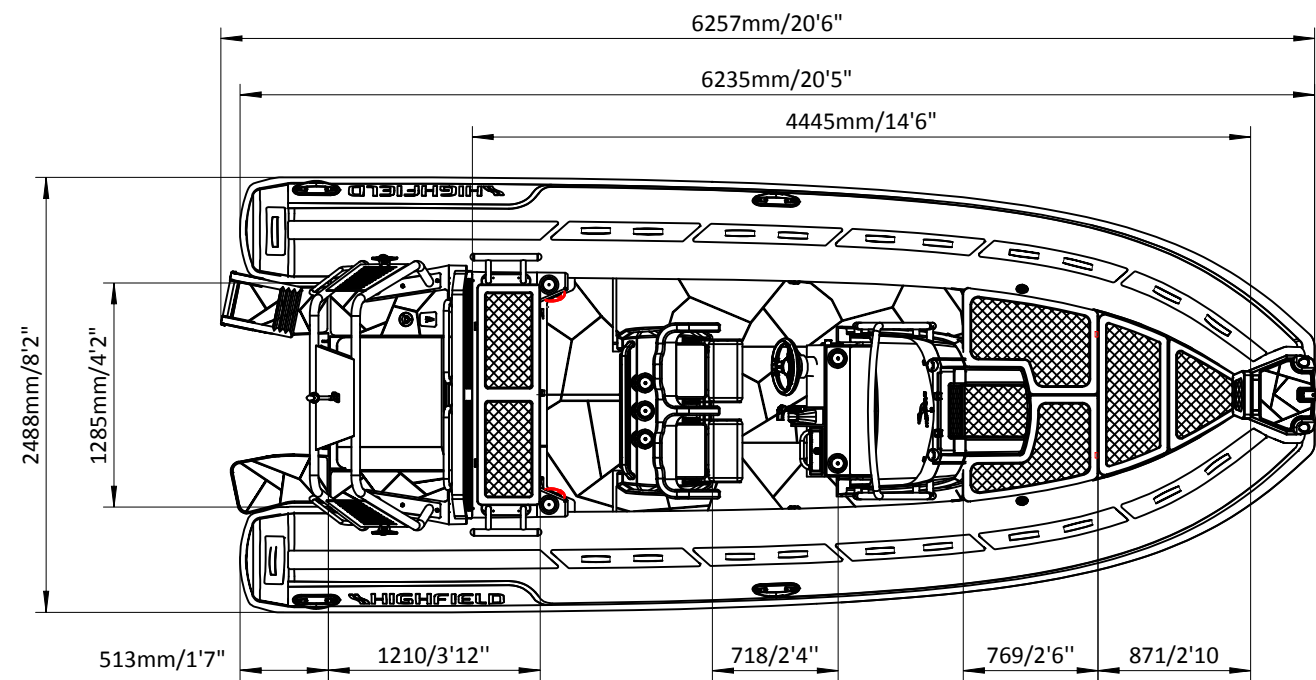
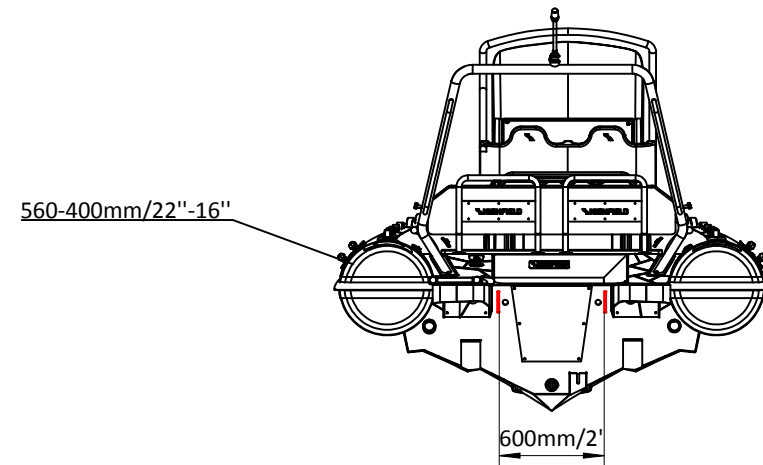
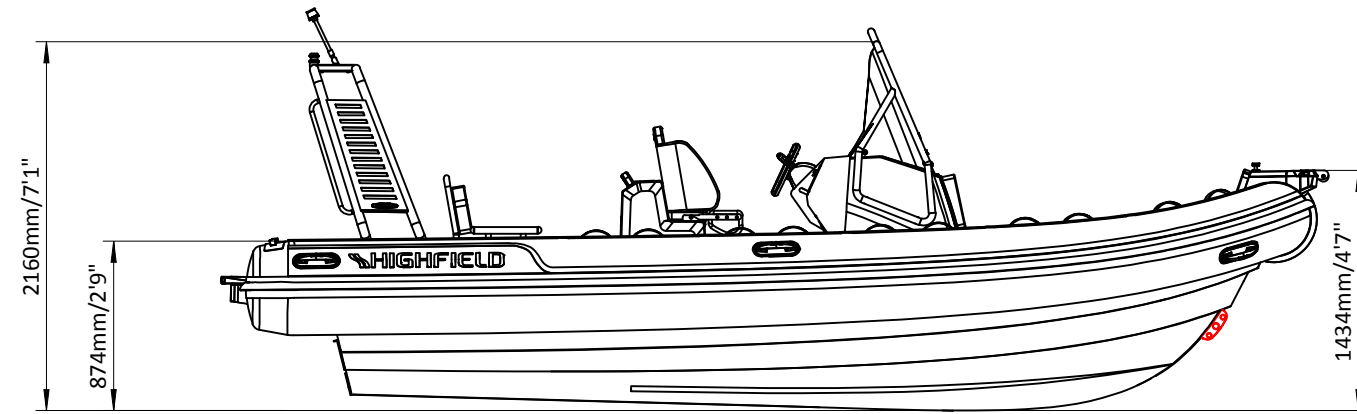
SPECIFICATIONS AND MAXIMUM CAPACITIES (Subject to change without notice. Tolerances: dimensions ±2.5%, weights ±5%)

| MODEL | ISO 6185 PART | ISO 6185 |      |      | #  |      |      | Shaft | Outboard Engine |     |     |     | Shower kit |      | Rollbar |      | /  |      | Fuel tank Capacity |    | Wet Weight (Approximate)<br>150HP (111.9KW)<br>+Fuel |     | AIR CHAMBERS |      |   |      |      |
|-------|---------------|----------|------|------|----|------|------|-------|-----------------|-----|-----|-----|------------|------|---------|------|----|------|--------------------|----|--|-----|--------------|------|---|------|------|
|       |               |          | KG   | LB   |    | KG   | LB   |       | KG              | LB  | KG  | LB  | KG         | LB   | KG      | LB   | L  | GAL  | KG                 | LB | PSI  | BAR |              |      |   |      |      |
| SP600 | 3             | C        | 1580 | 3507 | 14 | 1050 | 2315 | XL    | 111.9           | 150 | 250 | 575 | 630        | 1389 | 14.4    | 31.7 | 23 | 50.7 | /                  | /  | 140  | 37  | 981.5        | 2164 | 6 | 3.63 | 0.25 |

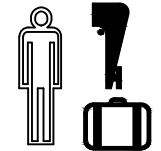
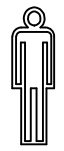




Boat weight includes: console, seat, sundeck, platform

# SPORT 600 EPA

# SPECIFICATIONS



SPECIFICATIONS AND MAXIMUM CAPACITIES (Subject to change without notice. Tolerances: dimensions ±2.5%, weights ±5%)

| MODEL | ISO 6185 PART | ISO 6185 |  |      | #  |  |      | Shaft |  Outboard Engine |     |     |     |  Shower kit |      | Rollbar |      | /  |      | Fuel tank Capacity |    |  Wet Weight (Approximate)<br>150HP (111.9KW)<br>+Fuel |      | AIR CHAMBERS |  |   |      |      |
|-------|---------------|----------|---|------|----|---|------|-------|--|-----|-----|-----|--|------|---------|------|----|------|--------------------|----|--|------|--------------|---|---|------|------|
|       |               |          | KG  | LB   |    | KG  | LB   |       | KG   | LB  | KG  | LB  | KG   | LB   | KG      | LB   | L  | GAL  | KG                 | LB | PSI  | BAR  |              |   |   |      |      |
| SP600 | 3             | C        | 1580  | 3507 | 14 | 1050  | 2315 | XL    | 111.9  | 150 | 250 | 575 | 630  | 1389 | 14.4    | 31.7 | 23 | 50.7 | /                  | /  | 126  | 33.2 | 971          | 2136.2  | 6 | 3.63 | 0.25 |

Boat weight includes: console, seat, sundeck, platform